

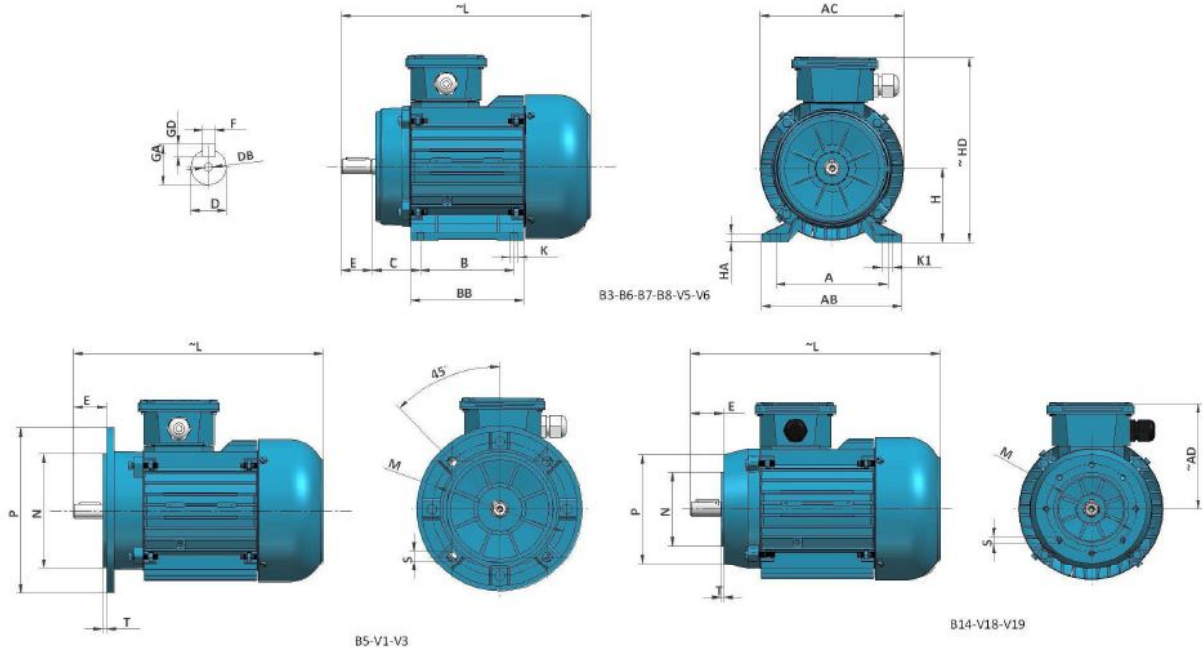
# TRİFAZE MOTORLAR/ THREE-PHASE MOTORS



TİP TYPE	ANMA GÜCÜ RATED OUTPUT		ANMA GÜCÜNDE ÇALIŞMA DEĞERLERİ PERFORMANCE AT RATED OUTPUT							KALKIŞ DEĞERLERİ STARTING		Devrilme Moment Oranı Breakdown Torque Ratio	Eylemsizlik Momenti Moment of inertia	Yaklaşık Ağırlık B3 Weight appx.
			Gerilim Voltage	Hız Speed	Akım Current	Moment Torque	Güç Katsayısı Power Factor	Verim Efficiency	Akım Oranı Current Ratio	Moment Oranı Torque Ratio				
											n			
kw	HP	Con.	V	rpm	A	Nm	cos φ	%				kgm²	kg	
<b>2 KUTUPLU - 3000 d/dak. 2 POLES- 3000 RPM</b>														
56 2A	0.09	0.12	ΔY	230/400	2850	0.52/0.30	0.32	0.70	64.6	3.7	3.0	3.1	0.00014	2.3
56 2B	0.12	0.16	ΔY	230/400	2870	0.60/0.35	0.40	0.65	63.4	5.0	3.7	3.1	0.00015	2.8
56 2C	0.18	0.25	ΔY	230/400	2840	0.81/0.47	0.60	0.76	67.4	5.0	3.7	3.1	0.00016	3.2
63 2A	0.18	0.25	ΔY	230/400	2800	1.12/0.65	0.61	0.65	65.1	4.6	2.8	2.8	0.00014	3.4
63 2B	0.25	0.34	ΔY	230/400	2800	1.26/0.73	0.85	0.75	68.7	4.2	2.2	3.5	0.00017	3.8
63 2C	0.37	0.50	ΔY	230/400	2800	1.99/1.15	1.26	0.70	68.3	4.0	2.0	3.0	0.00018	4.5
71 2A	0.37	0.50	ΔY	230/400	2815	1.73/1.00	1.26	0.72	73.2	4.0	2.5	2.6	0.00033	4.9
71 2B	0.55	0.75	ΔY	230/400	2780	2.25/1.30	1.90	0.82	76.8	4.5	2.4	2.5	0.00042	6.0
71 2C	0.75	1.0	ΔY	230/400	2820	3.63/2.10	2.60	0.70	70.5	4.5	2.7	2.8	0.00054	6.4
80 2A	0.75	1.0	ΔY	230/400	2860	3.72/2.15	2.51	0.75	72.6	4.8	3.2	3.2	0.00062	7.5
80 2B	1.1	1.5	ΔY	230/400	2856	4.85/2.80	3.70	0.75	76.3	5.0	2.5	3.2	0.00078	8.6
80 2C	1.5	2.0	ΔY	230/400	2825	6.06/3.5	5.10	0.80	75.5	4.3	2.0	2.7	0.00085	9.9
90 S2	1.5	2.0	ΔY	230/400	2874	6.40/3.70	5.00	0.80	78.5	5.0	2.2	2.5	0.00127	10.4
90 L2	2.2	3.0	ΔY	230/400	2875	8.31/4.80	7.37	0.82	81.2	5.2	2.0	2.2	0.00160	13.1
C 90	3.0	4.0	ΔY	230/400	2885	11.25/6.50	10.1	0.81	82.6	6.1	2.8	2.9	0.00201	15.5
100 2A	3.0	4.0	ΔY	230/400	2870	11.70/6.75	10.1	0.79	82.6	6.1	2.7	3.3	0.00262	16.7
100 2B	4.0	5.5	Δ	400/690	2860	8.40/4.90	13.4	0.86	84.2	7.0	3.0	3.2	0.00341	20.4
112 2A	4.0	5.5	Δ	400/690	2910	7.80/4.50	13.3	0.85	84.2	6.2	2.6	3.1	0.00453	26.3
112 2C	5.5	7.5	Δ	400/690	2885	11.00/6.35	18.3	0.88	85.7	7.0	2.8	3.4	0.00485	31.5
132 2A	5.5	7.5	Δ	400/690	2900	11.20/6.46	18.4	0.86	86.6	6.5	2.5	2.9	0.00900	34.0
132 2B	7.5	10.0	Δ	400/690	2905	15.00/8.66	24.7	0.87	87.0	6.5	2.5	2.8	0.01200	39.1
<b>4 KUTUPLU -1500 d/dak. 4 POLES- 1500 RPM</b>														
56 4A	0.06	0.08	ΔY	230/400	1370	0.43/0.25	0.41	0.60	57.7	3.0	2.4	2.6	0.00014	2.3
56 4B	0.09	0.12	ΔY	230/400	1385	0.60/0.35	0.62	0.62	59.8	3.1	2.8	2.3	0.00016	2.6
56 4C	0.12	0.16	ΔY	230/400	1380	0.83/0.48	0.83	0.68	59.2	3.2	2.8	2.4	0.00018	3.3
63 4A	0.12	0.16	ΔY	230/400	1400	1.0/0.60	0.82	0.63	47.4	3.0	2.0	2.0	0.00021	3.3
63 4B	0.18	0.25	ΔY	230/400	1340	1.17/0.68	1.3	0.70	54.6	2.8	2.0	2.0	0.00026	3.5
63 4C	0.25	0.34	ΔY	230/400	1350	1.73/1.00	1.8	0.66	60.8	3.0	2.0	2.0	0.00032	4.5
71 4A	0.25	0.34	ΔY	230/400	1415	1.64/0.95	1.7	0.68	57.7	3.3	2.3	2.5	0.00049	4.7
71 4B	0.37	0.50	ΔY	230/400	1410	2.16/1.25	2.5	0.68	62.8	3.5	2.4	2.3	0.00067	5.6
71 4C	0.55	0.75	ΔY	230/400	1380	2.72/1.57	3.8	0.69	73.3	3.4	2.0	2.1	0.00082	6.3
80 4A	0.55	0.75	ΔY	230/400	1410	2.84/1.64	3.7	0.72	67.3	3.7	2.1	2.0	0.00097	7.4
80 4B	0.75	1.0	ΔY	230/400	1410	3.46/2.00	5.1	0.73	70.6	4.0	2.1	2.0	0.00122	8.4
80 4C	1.1	1.5	ΔY	230/400	1390	5.19/3.0	7.5	0.68	76.2	4.0	2.1	2.1	0.00134	10.0
90 S4	1.1	1.5	ΔY	230/400	1400	4.93/2.85	7.45	0.73	76.2	4.2	2.2	2.3	0.00206	11.1
90 L4	1.5	2.0	ΔY	230/400	1400	6.49/3.75	10.3	0.75	78.5	4.3	2.2	2.2	0.00263	13.0
90 LL4	2.2	3.0	ΔY	230/400	1420	9.69/5.60	15.1	0.80	81.0	4.5	1.9	2.5	0.00287	16.3
100 4A	2.2	3.0	ΔY	230/400	1410	9.00/5.20	15.1	0.76	81.0	4.9	2.4	2.5	0.00426	18.0
100 4B	3.0	4.0	ΔY	230/400	1420	13.00/7.5	20.3	0.73	82.6	5.3	2.1	2.5	0.00560	21.5
112 4A	4.0	5.5	ΔY	400/690°	1440	14.20/8.20	26.5	0.82	84.2	5.5	2.0	2.3	0.01012	28.0
112 4B	4.0	5.5	ΔY	230/400°	1400	11.00/6.35	36.8	0.88	84.2	5.6	2.3	2.5	0.01060	28.0
132 4A	5.5	7.50	ΔY	400/690°	1445	11.60/6.70	36.1	0.80	85.7	5.9	2.5	2.5	0.019	38.0
132 4B	7.5	10.0	ΔY	400/690°	1450	16.00/9.25	49.5	0.80	87.0	5.9	2.5	2.5	0.026	47.2
132 4C	9.0	12.0	ΔY	400/690°	1455	19.70/11.3	56.1	0.81	87.5	6.1	3.5	3.2	0.035	55.2
132 4C	11.0	15.0	ΔY	400/690°	1435	22.50/12.9	72.3	0.76	88.4	6.3	3.7	3.8	0.043	56.8
<b>6 KUTUPLU - 1000 d/dak. 6 POLES- 1000 RPM</b>														
71 6A	0.18	0.25	ΔY	230/400	930	1.12/0.6	1.85	0.65	57.1	3.5	1.7	2.0	0.00076	4.8
71 6B	0.25	0.34	ΔY	230/400	920	1.56/0.9	2.60	0.70	57.3	3.5	1.9	2.1	0.00103	5.7
80 6A	0.37	0.50	ΔY	230/400	930	2.00/1.2	3.80	0.67	61.3	3.7	1.9	2.2	0.00189	7.4
80 6B	0.55	0.75	ΔY	230/400	915	2.95/1.7	5.71	0.75	62.3	3.6	1.7	2.0	0.00248	9.0
90 S6	0.75	1.0	ΔY	230/400	911	4.50/2.6	7.87	0.64	70.5	3.7	1.8	1.9	0.00327	10.6
90 L6	1.1	1.0	ΔY	230/400	912	6.23/3.6	11.55	0.67	67.7	3.8	1.8	1.9	0.00422	13.0
100 6A	1.5	2.0	ΔY	230/400	935	7.61/4.4	15.4	0.71	76.2	4.5	2.0	2.0	0.00921	19.0
112 6A	2.2	3.0	ΔY	230/400	930	9.00/5.2	22.4	0.75	83.0	4.4	2.0	2.1	0.00922	19.1
<b>8 KUTUPLU -750 d/dak. 8 POLES- 750 RPM</b>														
80 8C	0.25	0.34	ΔY	230/400	695	1.9/1.1	3.44	0.62	52.9	2.7	2.5	2.7	0.00076	4.8



## TRİFAZE MOTOR ÖLÇÜLERİ/ DIMENSIONS OF THREE-PHASE MOTORS



Yapı Büyüküğü Frame Size	Kutup Sayısı Number of Pole	TEME L ÖLÇÜLER MAIN DIMENSIONS		AYAKLI MOTORLAR FOOT MOUNTED MOTORS										FLANŞLI MOTORLAR FLANGED MOTORS							MİL UCU SHAFT					
		AC Ø	L	H	HD	HA	A	AB	K1	B	BB	KØ	C	Yapı Şekli Type of Construct.	PØ	*NØ	MØ	SØ	T	AD**	**DØ	E	DB	GA	FxGD	
56	2-4	112	172	56	140	6	90	110	7	71	81	6	36	B5	120	80	100	7	3	84	9	20	-	10.2	3x3	
63	2-4	122	205	63	165	7	100	120	10	80	102	7	40	B14	80	50	65	M5	2.5	102	11	23	-	12.5	4x4	
														B5	140	95	115	10	3							
71	2-4-6	139	243	71	178	8	112	135	11	90	109	7	45	B14	105	70	85	M6	2.5	107	14	30	M5	16	5x5	
														B5	200	130	165	12	3.5							
80	2-4-6	155	278	80	195	10.5	125	152	13	100	129	9	50	B14	120	80	100	M6	3	115	19	40	M6	21.5	6x6	
														B5	200	130	165	12	3.5							
90	S L	2-4-6	176	300 325	90	215	13	140	170	13	100 125	131 156	10	56	B5	200	130	165	12	3.5	125	24	50	M8	27	8x8
															B14	140	95	115	M8	3						
100	2-4-6	195	365	100	235	14	160	192	18	140	165	12	63	B5	250	180	215	15	4	135	28	60	M10	31	8x8	
														B14	160	110	130	M8	3.5							
112	2-4-6	218	385	112	258	14	190	230	18	140	175	12	70	B5	250	180	215	15	4	146	28	60	M10	31	8x8	
														B14	160	110	130	M8	3.5							
132	S M	2-4-6	250	454 492	132	330	16	224	260	28	140 178	180 218	12.5	70	B5	300	230	265	15.5	4	199	38	80	M12	41	10x8
															B14	200	130	165	M12	3.5						

\* Tolerans j6 / Tolerance j6

\*\* Tolerans j6 / Tolerance j6

Tüm ölçüler mm'dir. / All dimensions in mm.

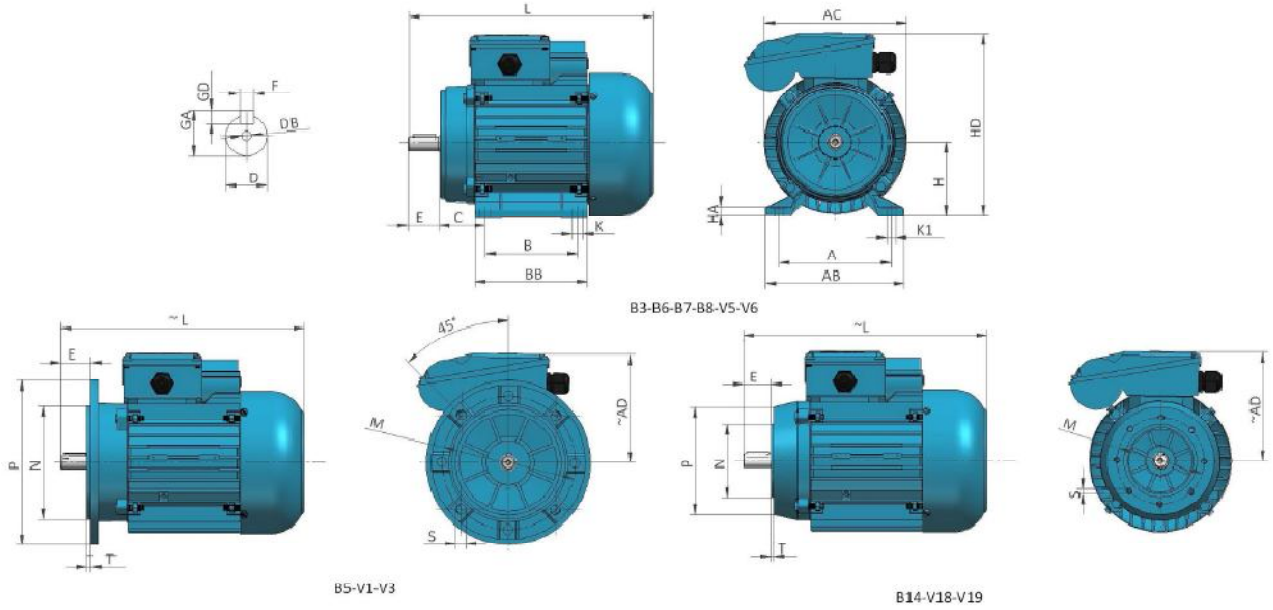


## MONOFAZE MOTORLAR / ONE PHASE MOTORS

TİP TYPE	ANMA GÜCÜ RATED OUTPUT		ANMA GÜCÜNDE ÇALIŞMA DEĞERLERİ PERFORMANCE AT RATED OUTPUT						KALKIŞ DEĞERLERİ STARTING DATA		Devrilme Moment Oranı Breakdown Torque Ratio	Kondansatör /Capacitor	Yaklaşık Ağırlık B3 Weight appx.
			Hız Speed	Akım Current	Moment Torque	Güç Katsayısı Power Factor	Verim Efficiency	Akım Oranı Current Ratio	Moment Oranı Torque Ratio				
										n			
			kw	HP	V	rpm	A	Nm	cos φ	%			
<b>2 KUTUPLU - 3000 d/dak. 2 POLES- 3000 RPM</b>													
56 2B M	0.18	0.25	230	2830	1.25	0.61	0.95	62.1	3.40	0.36	1.70	6	3.00
63 2B M	0.25	0.34	230	2795	1.65	0.85	0.90	66.6	3.20	0.35	3.00	8	4.00
63 2C M	0.37	0.50	230	2790	2.70	1.26	0.90	61.4	3.07	0.32	2.50	12.5	4.40
63 2E M	0.37	0.50	230	2700	3.60	1.26	0.98	70.0	2.40	0.37	3.00	15	5.35
71 2DC M	0.55	0.75	230	2820	3.90	1.88	0.98	62.5	3.15	0.35	2.35	18	5.40
71 2CC M	0.75	1.00	230	2810	5.00	2.56	0.97	65.0	2.77	0.35	1.80	20	6.35
80 2C M	1.1	1.5	230	2800	6.90	3.76	0.95	74.0	3.74	0.35	1.8	35	9.40
<b>4 KUTUPLU -1500 d/dak. 4 POLES- 1500 RPM</b>													
56 4A M	0.12	0.16	230	1390	1.35	0.83	0.89	0.42	2.2	0.50	2.3	5	2.8
63 4B M	0.18	0.25	230	1400	1.70	1.23	0.90	64.7	2.4	0.45	1.96	8	4.05
71 4A M	0.25	0.34	230	1415	2.20	1.7	0.87	62.0	2.6	0.33	1.8	10	4.8
71 4B M	0.37	0.50	230	1420	2.60	2.48	0.95	67.8	3.4	0.38	1.8	15	5.7
80 4A M	0.55	0.75	230	1461	4.30	3.65	0.86	60.4	3.5	0.32	2.0	25	8.3
80 4B M	0.75	1.0	230	1420	4.45	5.08	0.98	70.8	3.6	0.35	1.8	30	9.0



## MONOFAZE MOTOR ÖLÇÜLERİ DIMENSIONS OF SINGLE-PHASE MOTORS



Yapı Büyüklüğü Frame Size	Kutup Sayısı Number of Pole	ANA BOYUTLAR MAIN DIMENS.		AYAKLI MOTORLAR FOOT MOUNTED MOTORS										FLANŞLI MOTORLAR FLANGED MOTORS							MİL UCU SHAFT					
		AC $\phi$	L	H	HD	HA	A	AB	K1	B	BB	K $\phi$	C	Yapı Şekli Type of Constr.	P $\phi$	* N $\phi$	M $\phi$	S $\phi$	T	AD~	** D $\phi$	E	DB	GA	FxGD	
56	2-4	112	172	56	140	6	90	110	7	71	81	6	36	B5	120	80	100	7	3	84	9	20	-	10.2	3x3	
														B14	80	50	65	M5	2.5							
63	2-4	122	205	63	165	7	100	120	10	80	102	7	40	B5	140	95	115	10	3	102	11	23	-	12.5	4x4	
														B14	90	60	75	M5	2.5							
71	2-4-6	139	243	71	178	8	112	135	11	90	109	7	45	B5	160	110	130	10	3.5	107	14	30	M5	16	5x5	
														B14	105	70	85	M6	2.5							
80	2-4-6	155	278	80	195	10.5	125	152	13	100	129	9	50	B5	200	130	165	12	3.5	115	19	40	M6	21.5	6x6	
														B14	120	80	100	M6	3							
90	S L	2-4-6	176	300	90	215	13	140	170	13	100	131	10	56	B5	200	130	165	12	3.5	125	24	50	M8	27	8x8
				125							156	B14			140	95	115	M8	3							

\* Tolerans j6 / Tolerance j6

\*\* Tolerans j6 / Tolerance j6

Tüm ölçüler mm'dir. / All dimensions in mm.